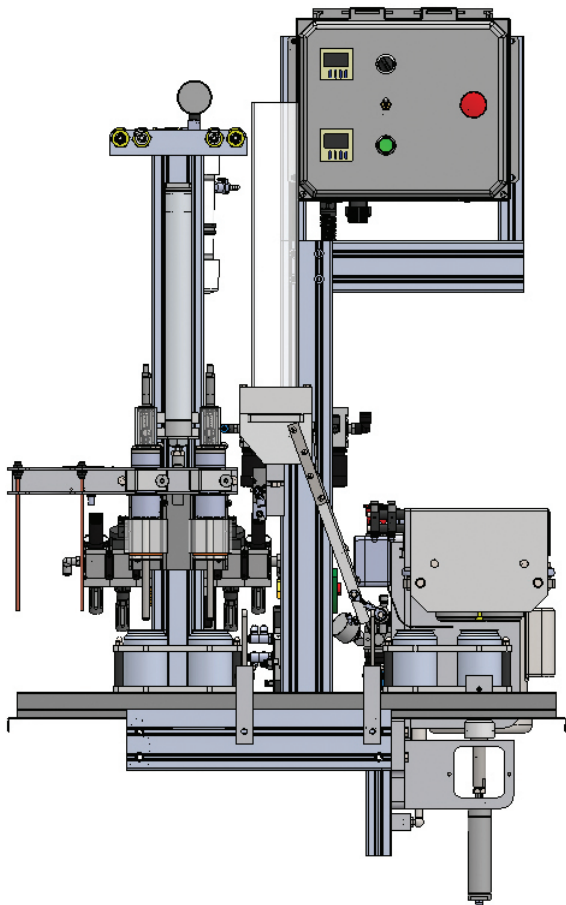




MICROBOTTLER® ALL IN ONE CAP, CAN & CORK

BOTTLE
& CAN!

STARTING
AS LOW AS
\$7990



IN THE WORKS: MINI MICROBOTTLER® ALL IN ONE

With our new line of **MINI MICROBOTTLERS**, you can now bottle, cap, and can on the same machine with a smaller footprint AND lower cost. Versatile and efficient, the **MINI MICROBOTTLER** is the perfect tool to streamline your packaging process.

FEATURES

- 2 – Auto-height compensating fill valves
- 2 – Auto-height compensating capping positions
- Pre-Purge
- Counter pressure filling
- Switches easily from bottling to canning
- Multiple bottle closing options for crown caps and cans
- Versatile for multiple bottle and can sizes

SPECIFICATIONS

32.75" W and 45" H

ACCESSORIES / OPTIONS

- Dkanner® Module
- MicroBottler® Module
- Crown Capping
- Lid Presenter

